



## RIM ENGINEERING CENTRE



### RIM REPAIR AND REFURBISHMENT

Our rim engineering centre based in Wadeville, has specialised equipment to meet all your requirements for rim repairs, refurbishments and custom-built rims. Rim repair and refurbishment is typically a fraction of the cost of a new rim.

Dent damage, elongated wheel stud holes, cracks and severe dish damage can all be repaired by our team of rim experts.

Rim maintenance is important to your tyres lifespan. Fitting a tyre to a rusted or damaged rim results in the tyre not seating correctly and deforming the tread. It is a well known fact that deformation accelerates tyre wear and can result in premature failure.

**Typical OTR Rim**



**Typical Mobile Crane Rim**





## RIM SANDBLASTING AND SPRAYING

We always recommend that rims are treated at the first sign of corrosion. We can sandblast your rusted rims and re-spray them to make your rim look as good as new.

We offer standard and custom paint colours.



## RIM MAKE-UP

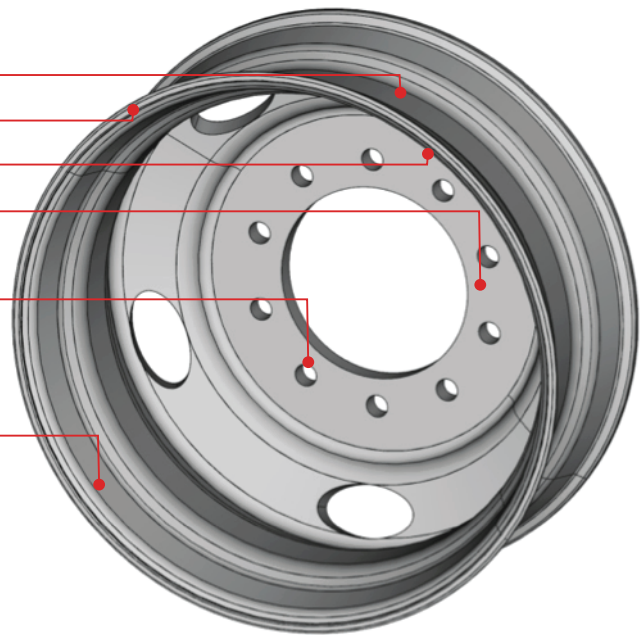
There are a wide variety of rims available across the truck, OTR, agricultural and forklift industries. Despite standard tyre sizes, rims come in a vast range of sizes and configurations.

We have the specialised equipment needed to make rims that meet your requirements. Over the past three decades we have built an extensive library of technical specifications to ensure accurate information and exact rim make-up. If there is any doubts with the rim configuration, we can send a technical expert to your site to take accurate measurements. This service is only available in Gauteng.



## SERVICES

- Repair Holes
- Sand Blast
- Repair Cracks
- Re-dish where required
- Weld and drill elongated wheel stud holes
- Spraying\*



\*Powdercoating available from 2018